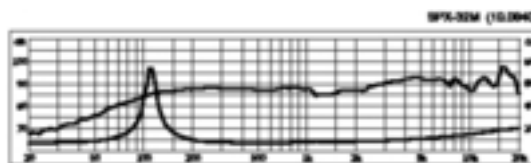
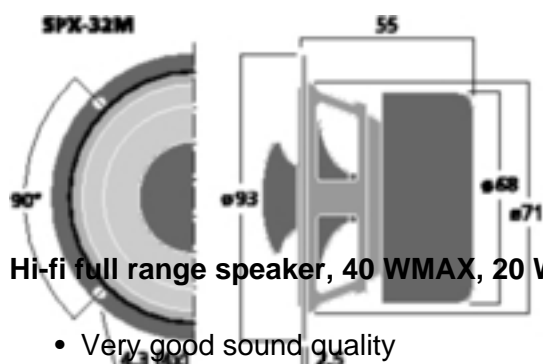


SPX-32M - HiFi Fullrange Speak



Hi-fi full range speaker, 40 WMAX, 20 WRMS, 8 Ohm

- Very good sound quality
- High-quality paper cone
- Wooden phase plug for optimising the radiation
- Rear ventilation of the centering spider
- Shielded magnetic system
- Application in small speakers or satellite systems
- Ideally suited for the application in FAST speakers (full range and subwoofer technology)

HOBBY HiFi 03/2012 "Audiophile characteristics due to paper cone and solid wooden phase plug."



Technical data

Impedance (Z)	: 8 Ohm
Resonant frequency (fs)	: 110Hz
Max. frequency range	: f3-22,000Hz
Music power	: 40W _{MAX}
Power rating (P)	: 20W _{RMS}
SPL (1 W/m)	: 88dB
Suspension compl. (Cms)	: 1.11mm/N
Moving mass (Mms)	: 1.7g
Mech. Q factor (Qms)	: 7.66
Electr. Q factor (Qes)	: 0.60
Total Q factor (Qts)	: 0.56
Equivalent volume (Vas)	: 1.6 l
DC resistance (Re)	: 6.6 Ohm
Force factor (BxL)	: 3.69Tm
Voice coil induct. (Le)	: 0.18mH
Voice coil diameter	: Ø 20mm
Voice coil former	: Kapton
Linear excursion (X _{MAX})	: ±1.1mm
Eff. cone area (Sd)	: 32cm ²
Magnet weight	: 99g
Weight	: 0.52kg