

Placing Medium Format Film on the Scanner

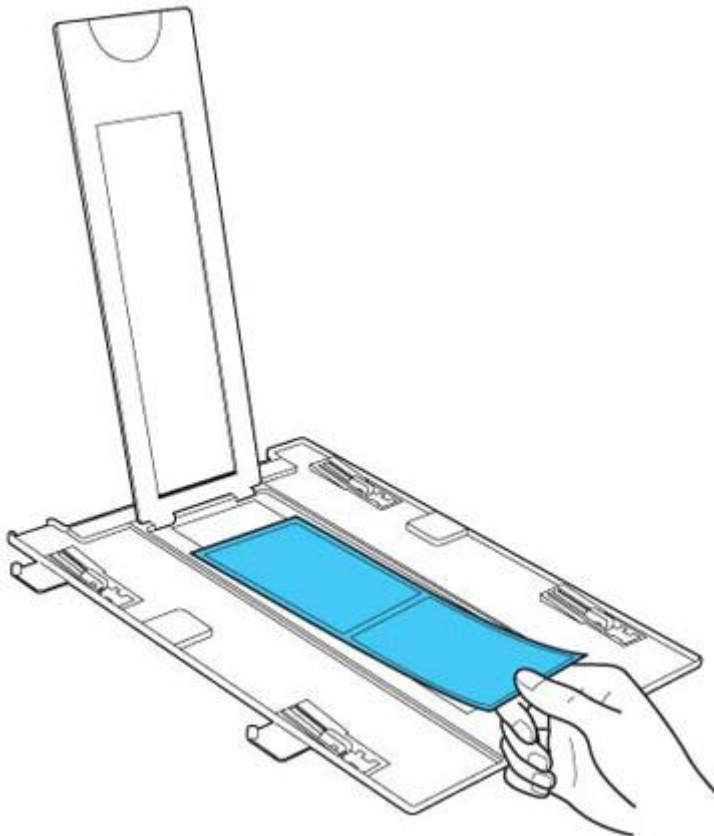
You can place medium format film on the scanner using the medium format film holder.

Caution:

Hold only the edges of the film strips or use gloves, or you may damage the film.

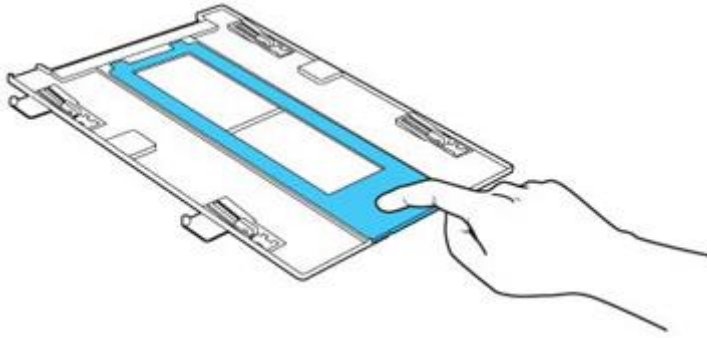
Note: You cannot use Full Auto Mode when scanning medium format film. Make sure the white areas on the back of the holder are not scratched, dirty, or covered in any way or the scanner may not correctly detect the holder during scanning.

1. Open the medium format film holder cover.
2. Slide the medium format film into the holder with the shiny side facing up so that images and any wording on the film strips are not backward. Make sure the entire image frame is positioned in the film holder opening.

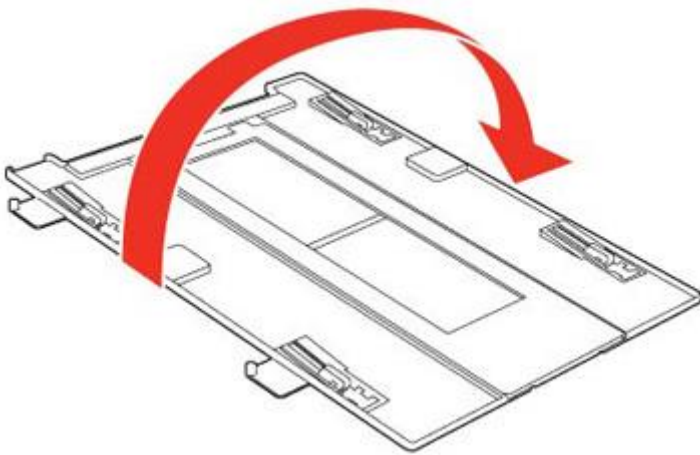


Note: Do not cover any of the small holes in the holder.

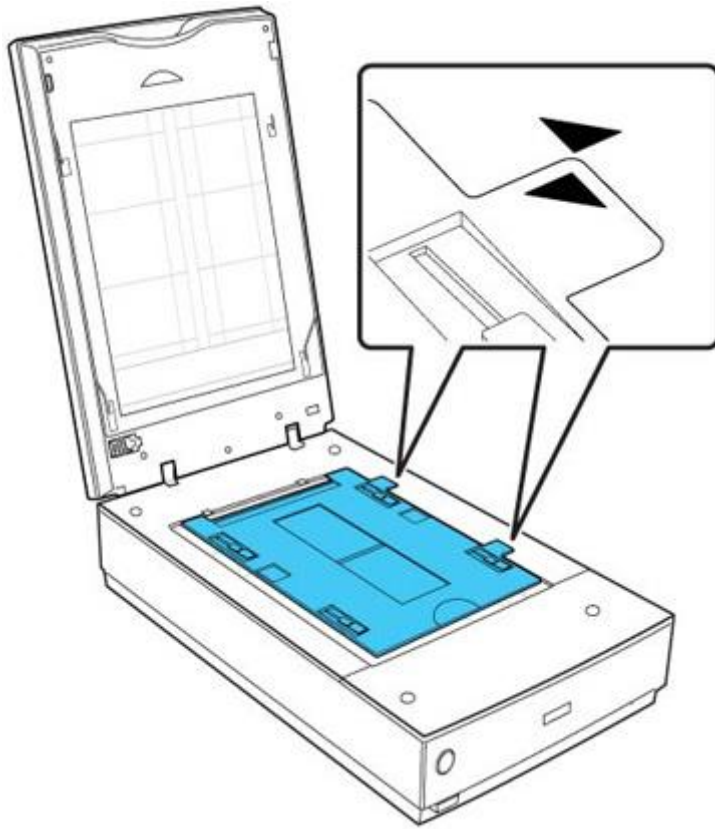
3. Close the film holder cover and press it down until it clicks into place. Also press down all the edges of the cover to secure it. Make sure the film is not pinched or curled.



4. Turn the film holder over.



5. Open the scanner cover.
6. Remove the document mat from the scanner cover, if necessary.
7. Place the holder on the scanner glass as shown. Align the arrows on the holder with the arrows on the scanner.



8. Close the scanner cover gently to keep the holder in place.